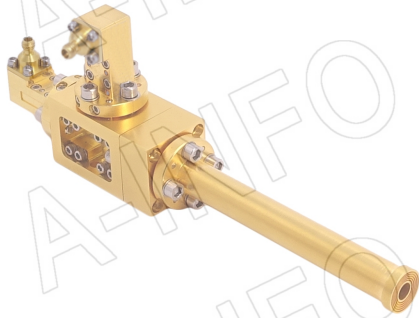


For reference only. See data sheet for the detailed specifications.

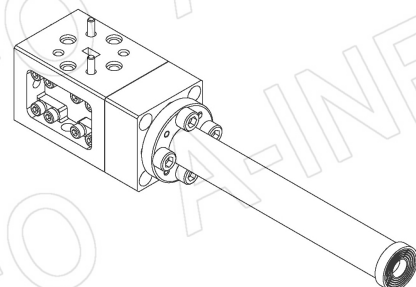
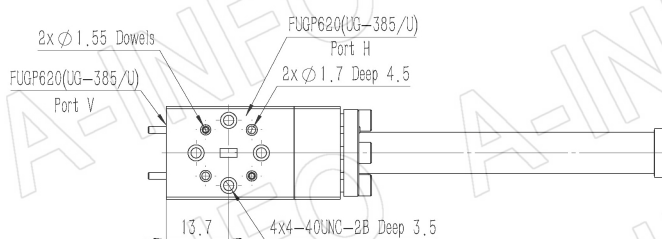
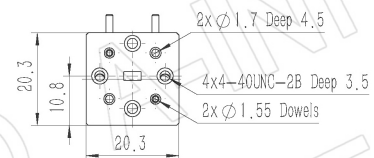
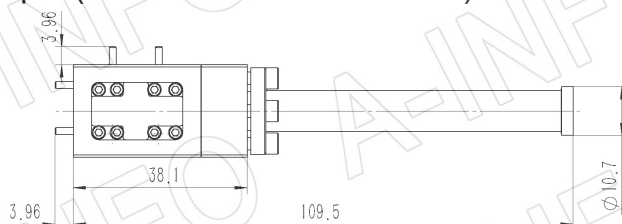
## Technical Specification



Frequency Range(GHz)	A Type, WG output: 50.0 - 66.0
	C Type, 1.0mm-F: 50.0 - 66.0
	C Type, 1.85mm-F: 50.0 - 65.0
Waveguide	WR15
Gain(dBi)	10 Typ.
Polarization	Dual Linear
3dB Beamwidth(deg)	E Plane: 61 Typ.
	H Plane: 63 Typ.
10dB Beamwidth(deg)	E Plane: 114 Typ.
	H Plane: 117 Typ.
Cross Pol. Isolation(dB)	30 Typ.
Port to Port Isolation(dB)	40 Typ. ; 30 Min.
VSWR	A Type: 1.5:1 Typ.
	C Type: 2.0:1 Typ.
Output	A Type: FUGP620(UG-385/U)
	C Type: 1.0mm-Female or 1.85mm-Female
Material	Cu
Finish	Gold Plated
Size(mm)	A Type: 20.3 x 20.3 x 109.5
	C Type: 25.6 x 45.7 x 134.9
Net Weight(Kg)	A Type: 0.14 Around
	C Type: 0.19 Around

## Outline Drawing (Size: mm)

FUGP620 Output (P/N: LB-ACH-15-10-T06-A)



**AINFO Inc.**

China(Beijing): Tel: (+86) 10-6266-7326,  
China(Chengdu): Tel: (+86) 28-8519-2786,  
USA : Tel: (+1) 949-639-9688,

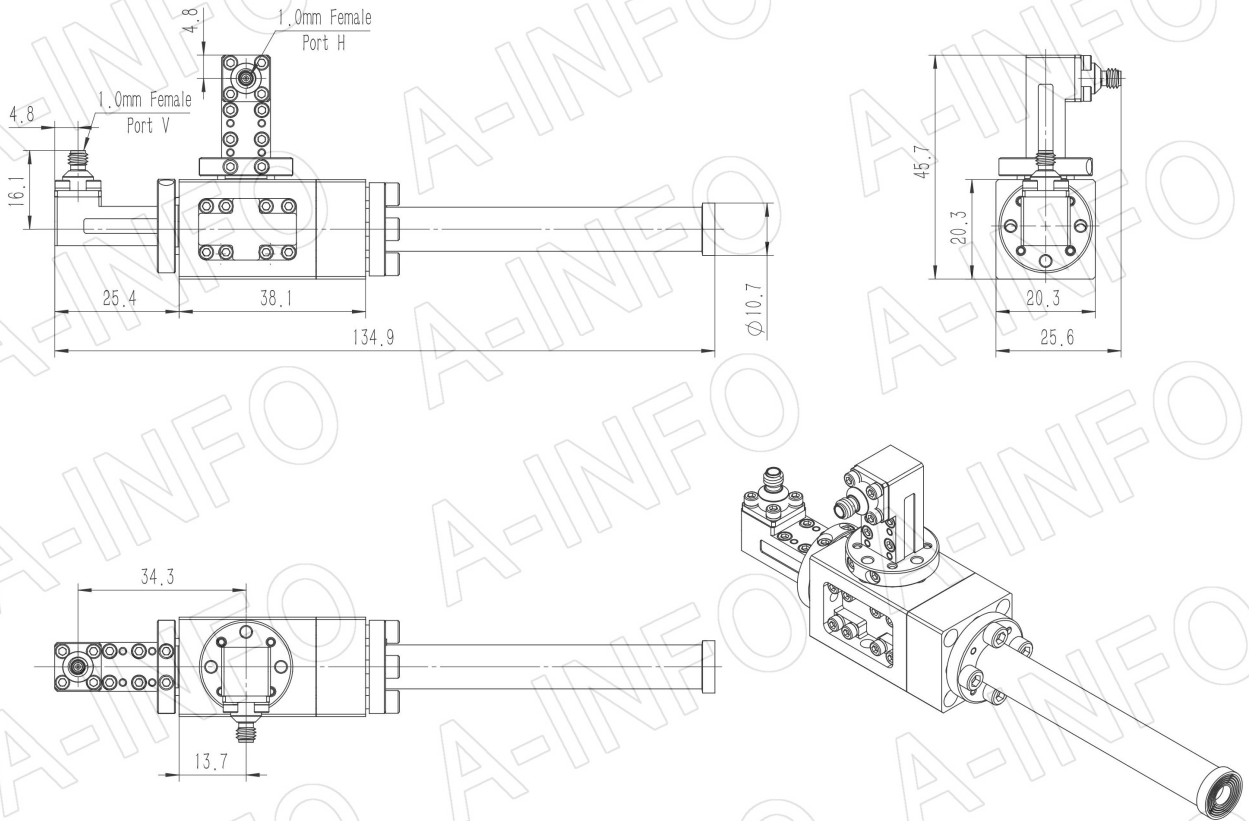
Page 1 of 12

(+86) 10-6266-7327 Fax: (+86) 10-6266-7379  
(+86) 28-8519-3044 Fax: (+86) 28-8519-3068  
(+1) 949-639-9608 Fax: (+1) 949-639-9670

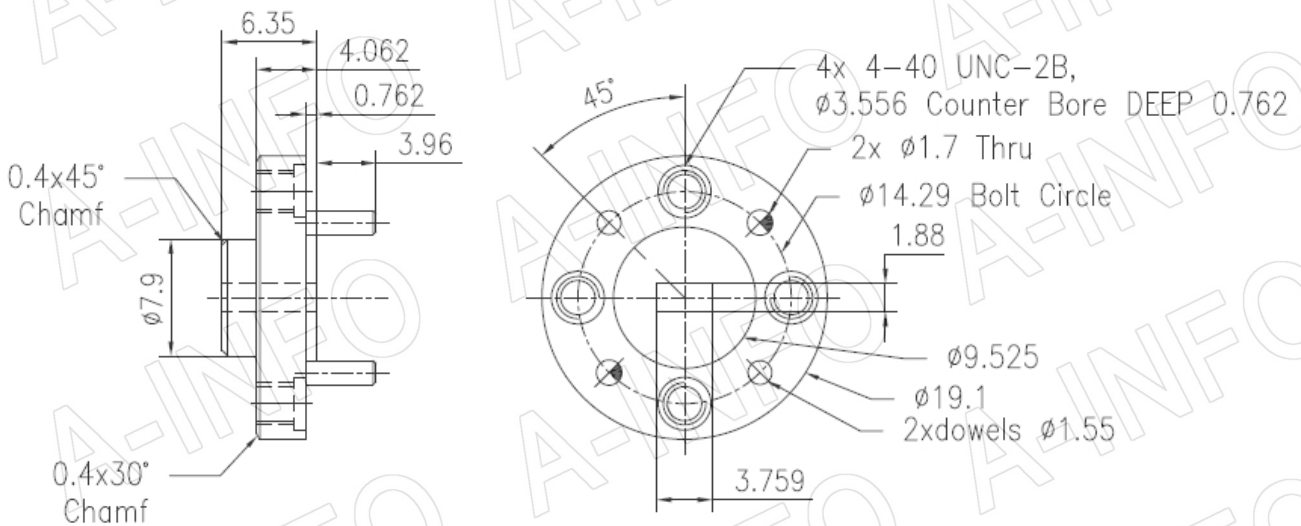
Website: [www.ainfoinc.com](http://www.ainfoinc.com)  
Email: [sales@ainfoinc.com](mailto:sales@ainfoinc.com)

**1.0mm-Female Output (P/N: LB-ACH-15-10-T06-C-1.0F)**

For 1.85mm-Female output outline drawing, please contact A-INFO.



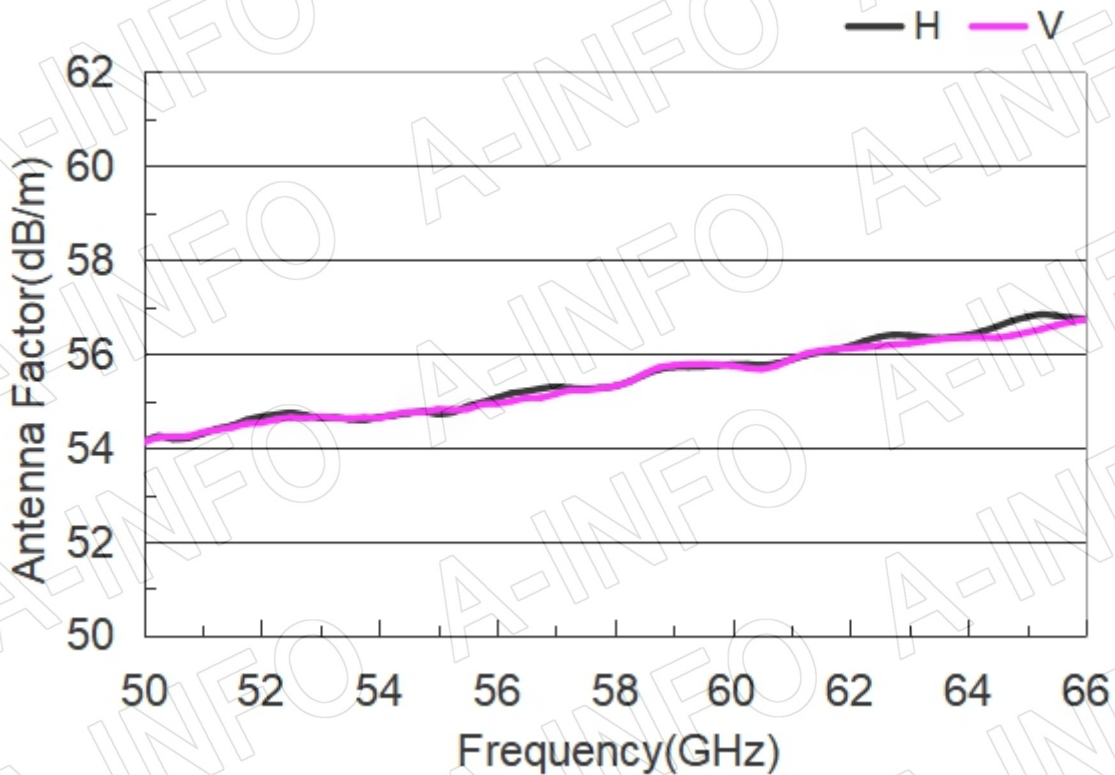
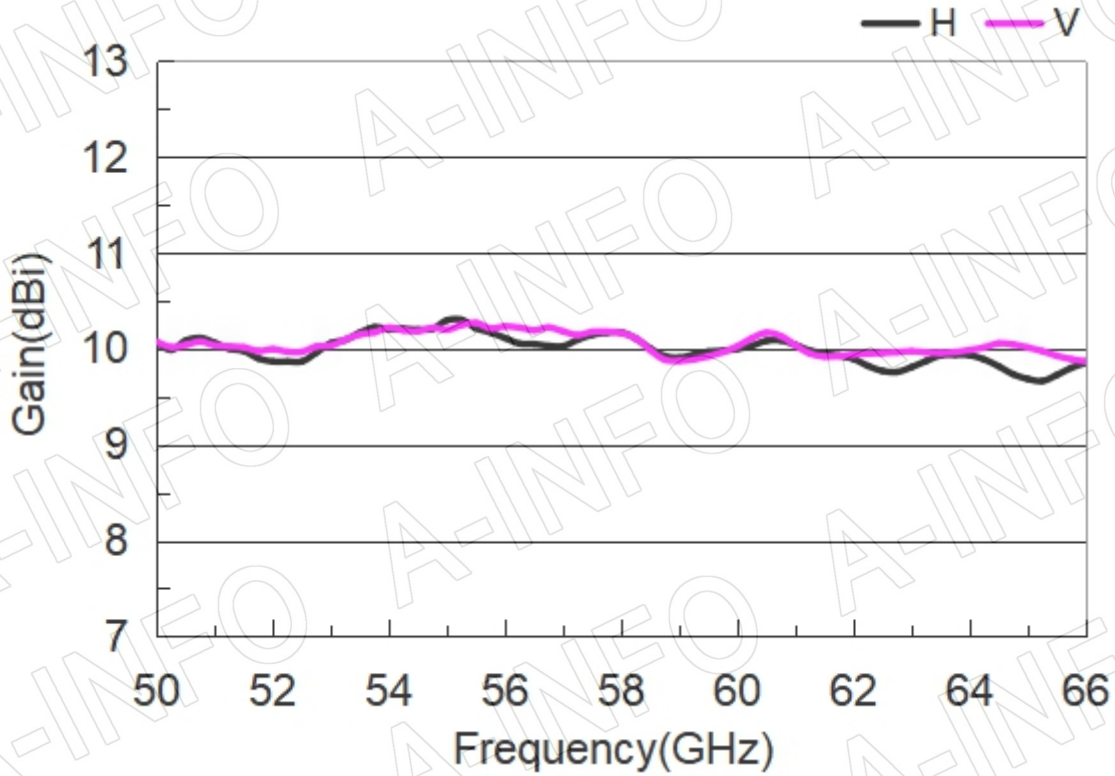
**Flange Drawing (Size: mm)**



FJGP620  
 (equivalent to UG-385/U)

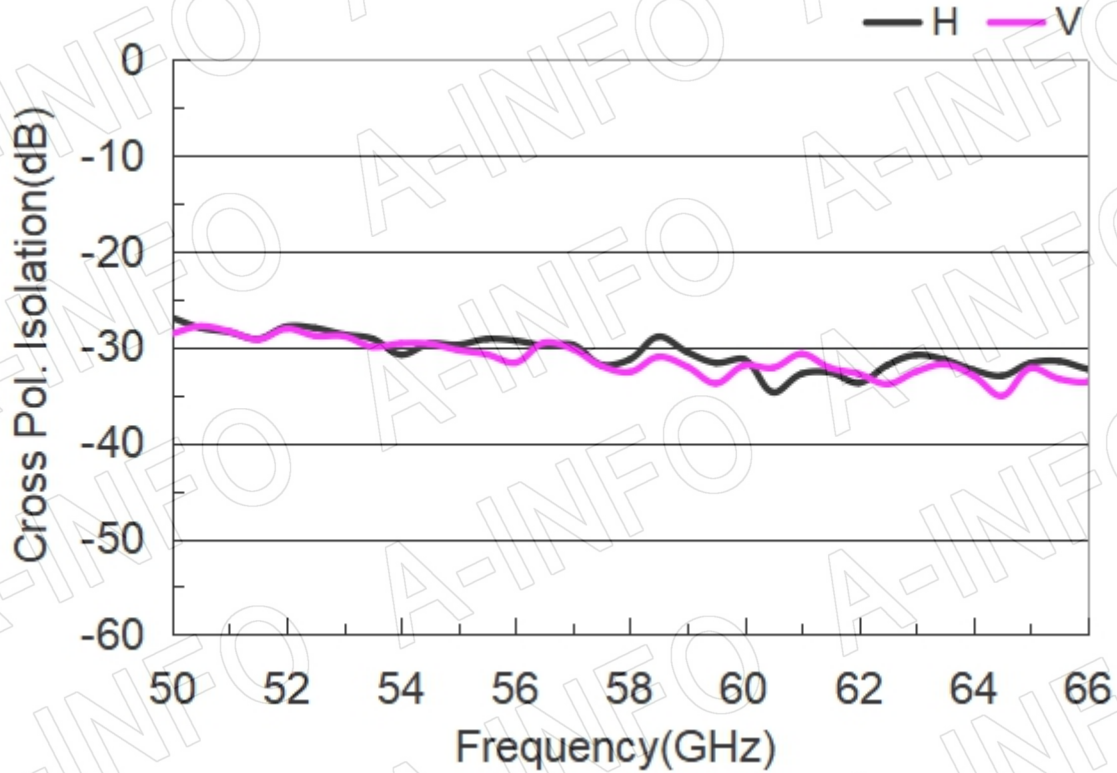
## Test Results

### 1. Gain & Antenna Factor

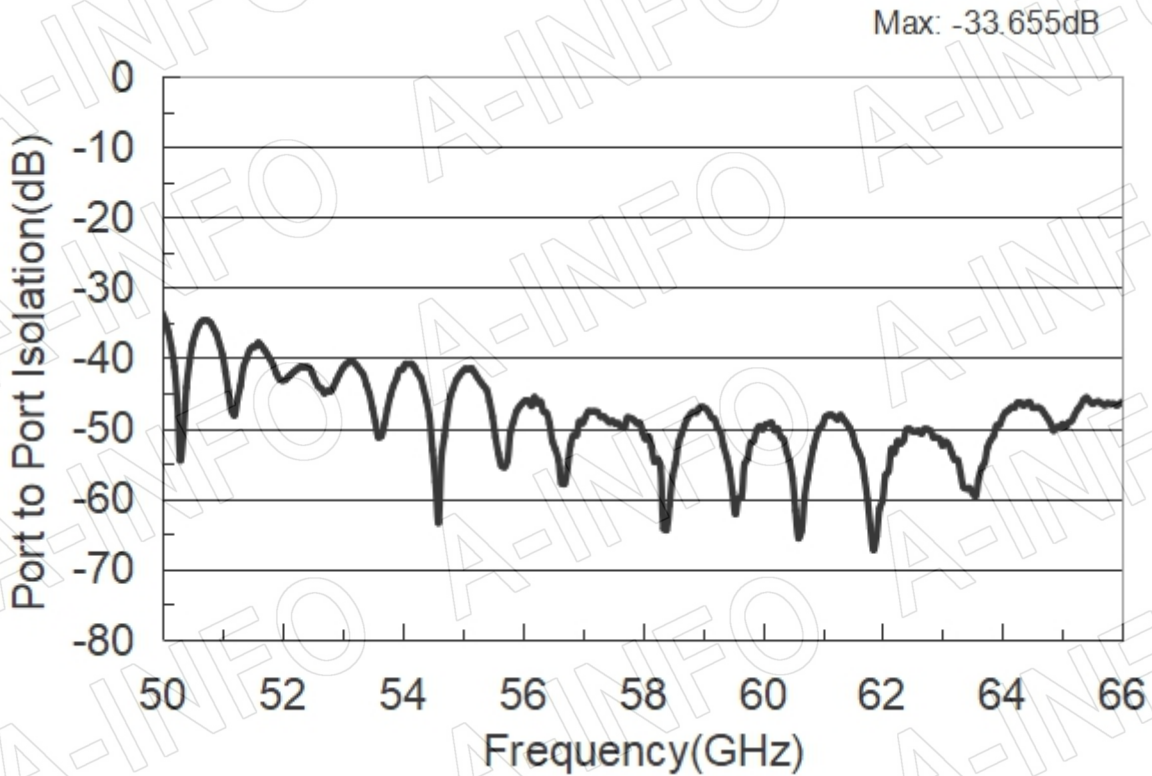




## 2. Cross Polarization Isolation

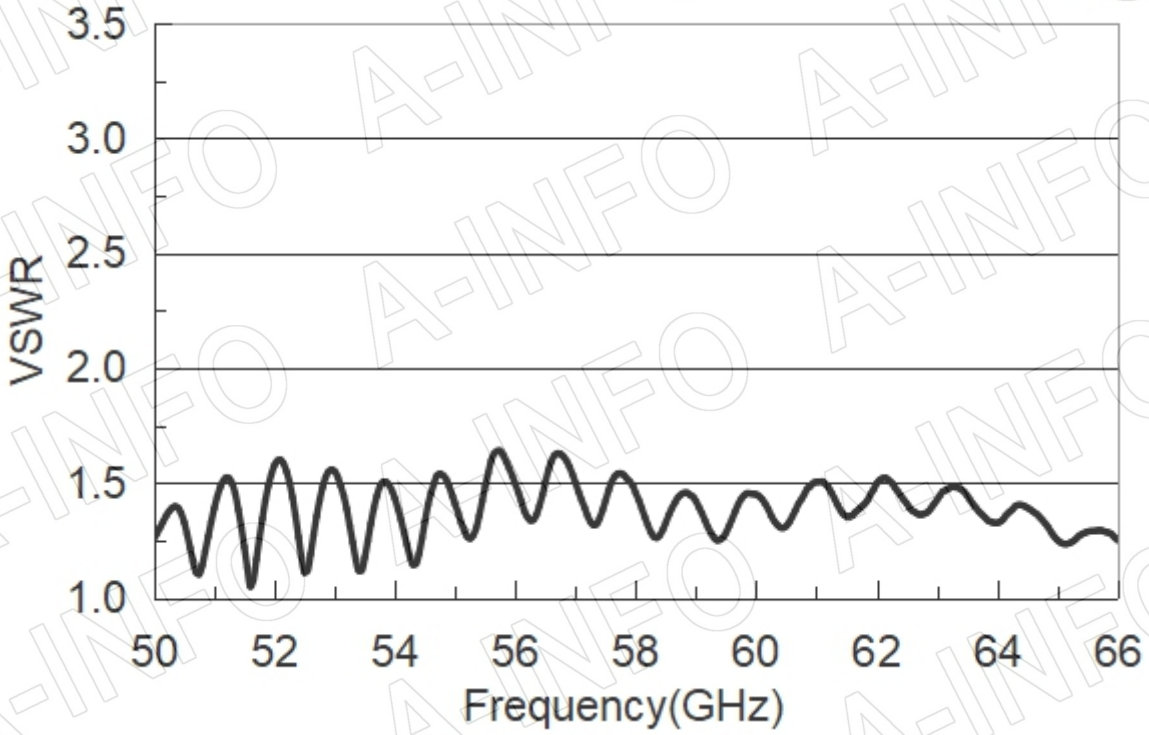


## 3. Port to Port Isolation



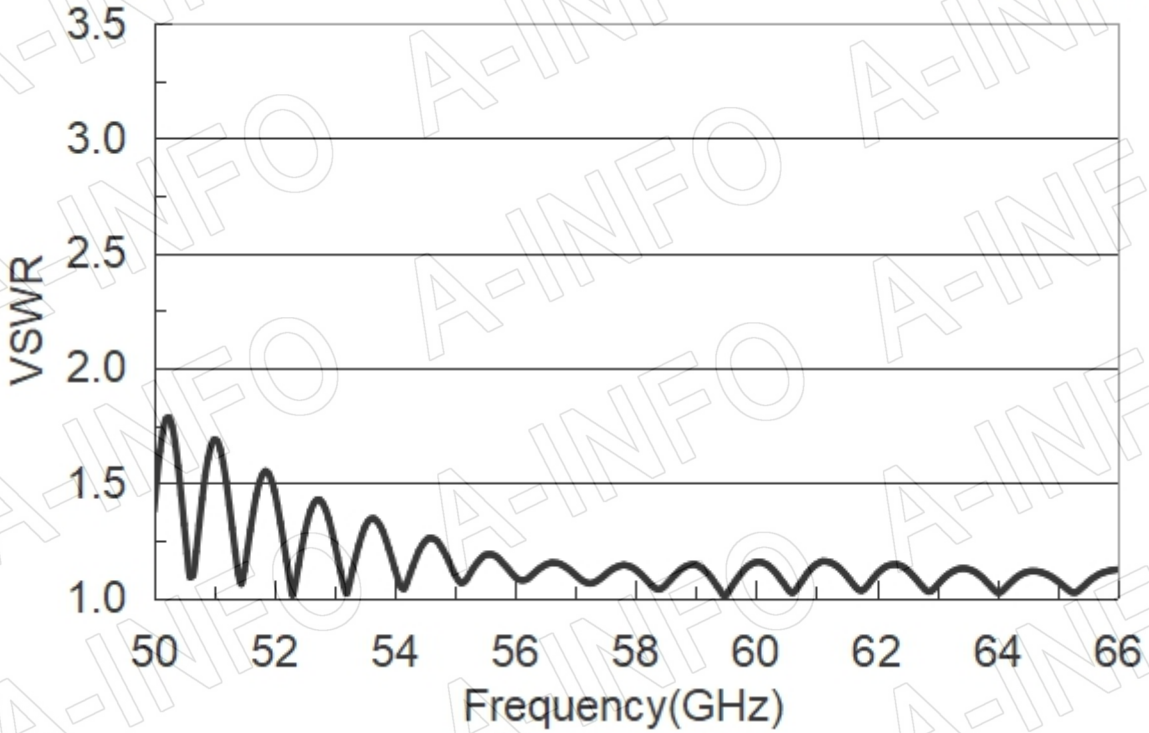
## 4. VSWR\_A Type Port-H

Max: 1.639



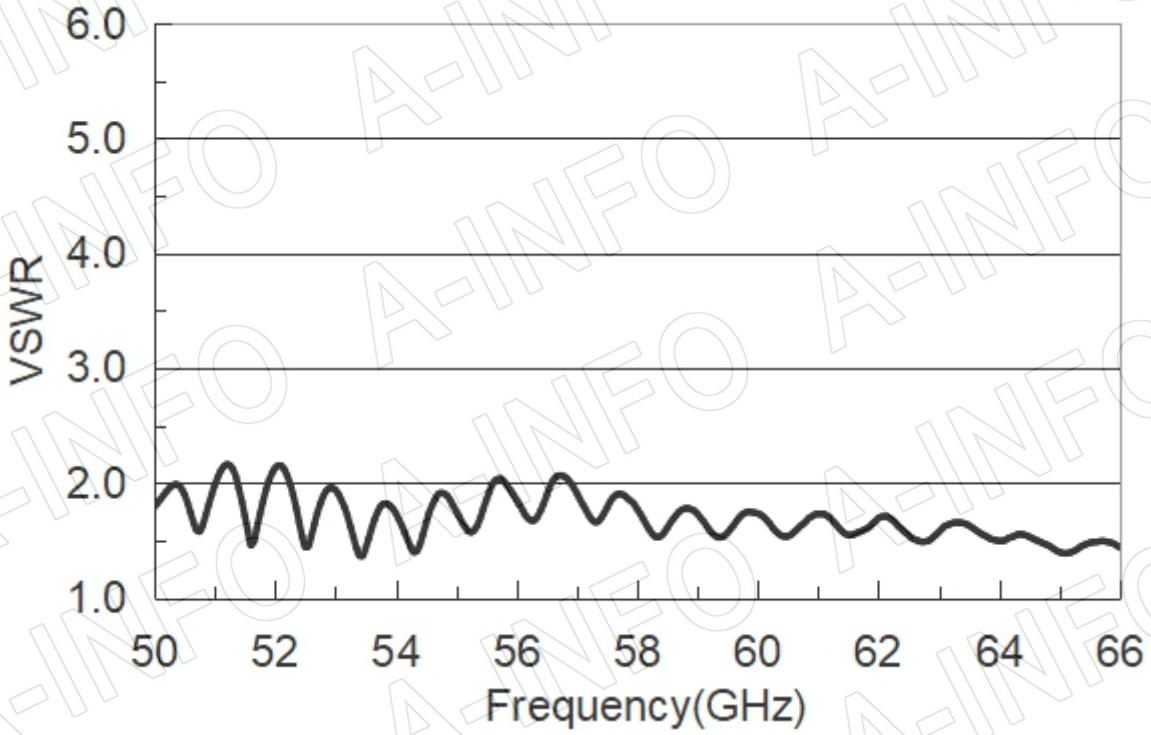
## Port-V

Max: 1.784



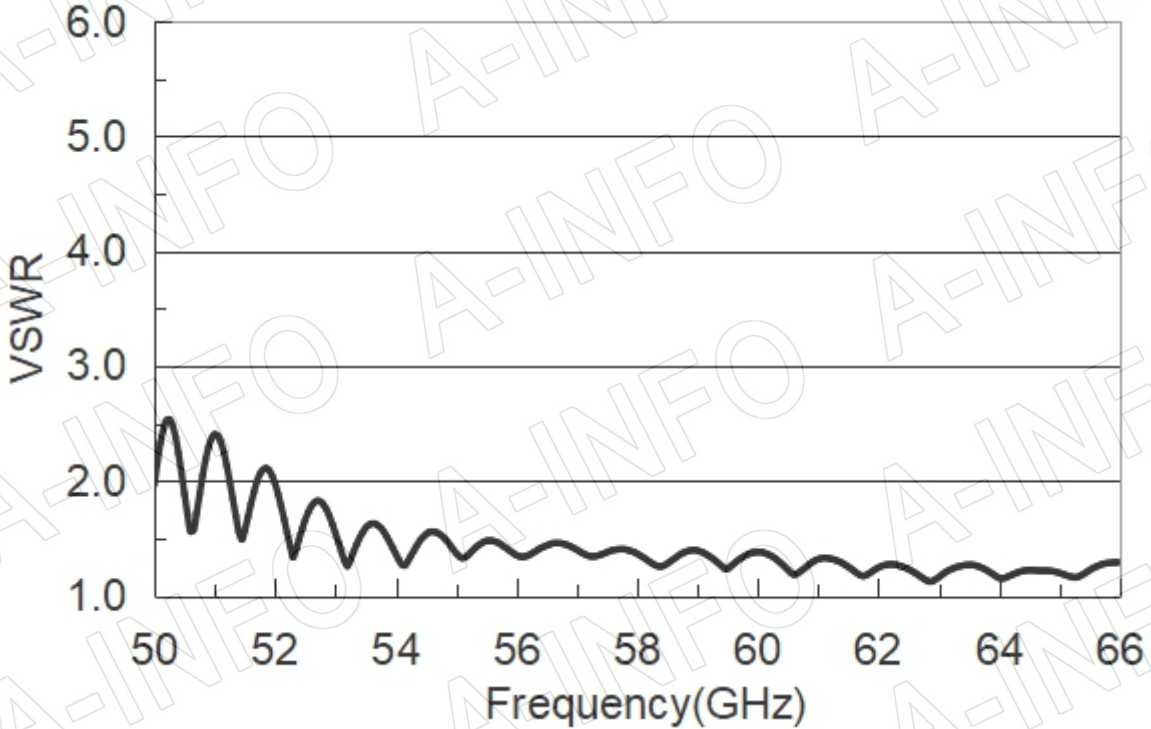
VSWR\_C Type  
Port-H

Max: 2.160



Port-V

Max: 2.534



AINFO Inc.

China(Beijing): Tel: (+86) 10-6266-7326,  
China(Chengdu): Tel: (+86) 28-8519-2786,  
USA: Tel: (+1) 949-639-9688,

Page 6 of 12

(+86) 10-6266-7327 Fax: (+86) 10-6266-7379  
(+86) 28-8519-3044 Fax: (+86) 28-8519-3068  
(+1) 949-639-9608 Fax: (+1) 949-639-9670

Website: [www.ainfoinc.com](http://www.ainfoinc.com)  
Email: [sales@ainfoinc.com](mailto:sales@ainfoinc.com)



## 5. Pattern

